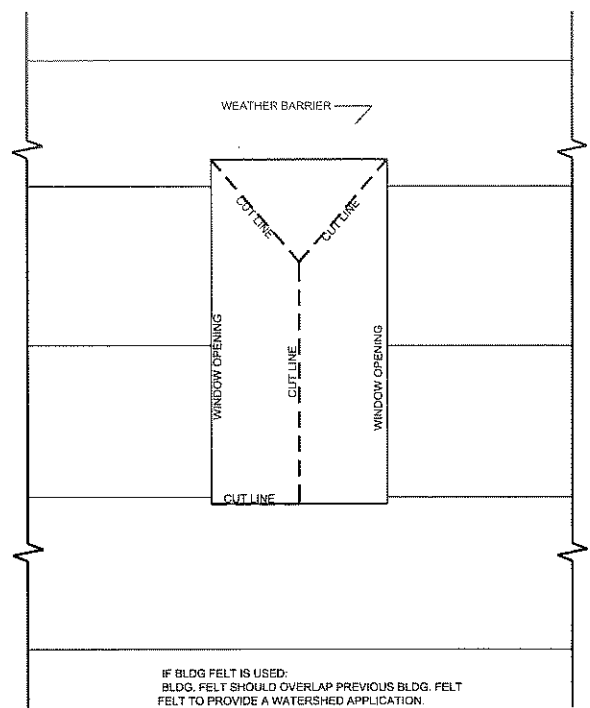
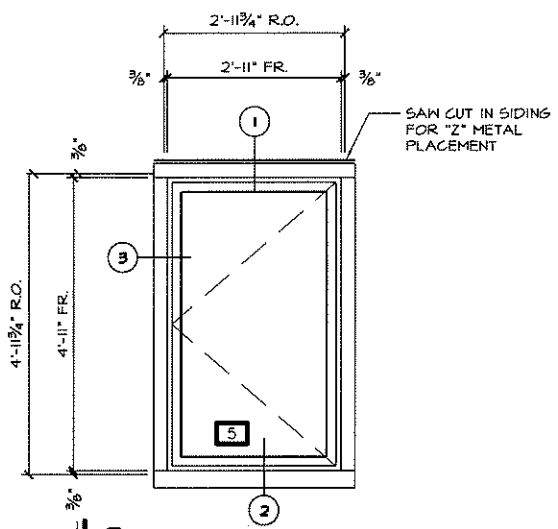


Rough Opening Preparation



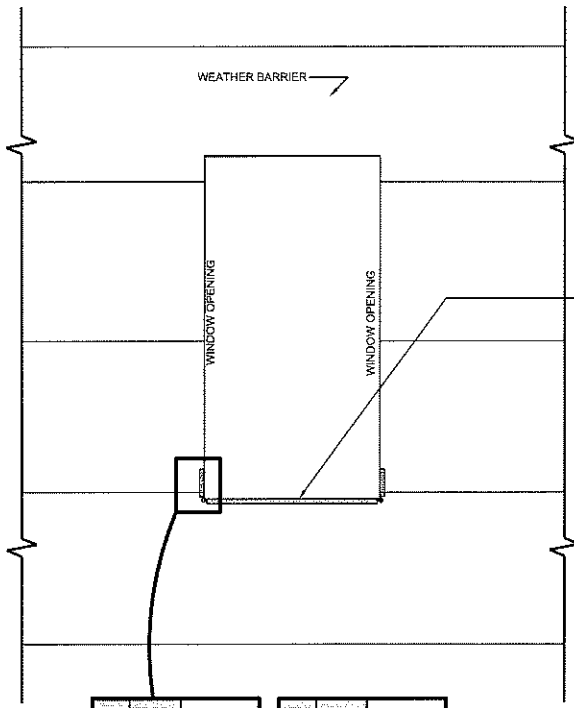
IF BLDG FELT IS USED:
BLDG. FELT SHOULD OVERLAP PREVIOUS BLDG. FELT
FELT TO PROVIDE A WATERSHED APPLICATION.
CUT THE FELT AS ILLUSTRATED ABOVE
FOLD INTO ROUGH OPENING



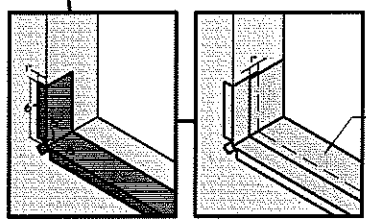
S **QTY 1**
PDG ITEM #. 5
LOCATION:

Composite ID	Unit ID	Product Code
S	5	ASCCMLH1Z2

SHOWN WITH 3/2" WOOD TRIM



PELLA SMARTFLASH FOIL BACKED, BUTYL WINDOW & DOOR FLASHING TAPE. (or EQUAL) APPLY OVER ROUGH OPENING SILL AND ONTO FACE OF FLASHING PAPER. EXTEND TAPE 6" UP JAMBS.
CUT 1" WIDE TABS @ EACH CORNER (1" FROM EACH SIDE OF CORNER). FOLD WINDOW FLASHING TAPE TO EXTERIOR & PRESS DOWN FIRMLY TO ADHERE TO FLASHING PAPER.
ADD 2ND PIECE OF PELLA SMARTFLASH FOIL BACKED, BUTYL WINDOW & DOOR FLASHING TAPE. (or EQUAL)
SEE DETAIL 2 BELOW FOR INSTALLATION.



CUT 2ND PIECE OF PELLA SMARTFLASH FOIL BACKED, BUTYL WINDOW & DOOR FLASHING TAPE. (or EQUAL) (SAME LENGTH AS FIRST) & APPLY TO ROUGH OPENING SILL, OVERLAP 1ST TAPE BY 1" (SEE DETAIL 2). DO NOT ALLOW TAPE #2 TO EXTEND BEYOND INTERIOR FACE OF FRAMING.

REVISIONS		
NO.	DATE	PROJECT NO.

AS PER REQUEST OF
THE CITY OF OVERLAND PARK KS
LOCATION:
ARCHITECT:
DISTRIBUTOR: 215



R.O. PREP - ELEVATION
DRAWN BY: TOM LUSE
CHECKED BY: JE TH
DATE: 4-24-07
ARCHITECTURAL SUPPORT SERVICES DEPARTMENT
SCALE: 1/2"=1'-0"
PROJECT NO., 74865
SHEET NO. 1 OF 4
Window and Door Installation Solutions

DETAIL KEYNOTES

AC : ATTACHMENT COMPONENTS

AC01.01 INSTALLATION FIN #4267. ANCHOR THROUGH EACH PRE-PUNCHED HOLE AS FOLLOWS:
WOOD: 2" GALVANIZED ROOFING NAILS

AC03.04 PELLA® SMARTFLASH™ WINDOW & DOOR FLASHING TAPE (OR EQUAL). APPLY OVER ROUGH OPENING SILL EXTENDING 6" UP EACH JAMB & OVERLAP ONTO FACE OF WEATHER RESISTIVE BARRIER.

AC03.11 PELLA® SMARTFLASH™ WINDOW & DOOR FLASHING TAPE (OR EQUAL). APPLY OVER INSTALLATION FIN ONTO WALL SURFACE.

BC : BUILDING COMPONENTS (BY OTHERS)

BC05.02 PRIOR TO UNIT INSTALLATION, PROVIDE LEVEL OPENING SURFACE BY ATTACHING 1" WIDE IMPERVIOUS SHIM 1/2" FROM EACH OPENING JAMB & AT WINDOW MULLION AS REQUIRED.

BC05.06 SHIM & PLUMB UNITS AS REQUIRED. TO KEEP JAMBS STRAIGHT.

JE : JAMB EXTENSIONS & INTERIOR TRIM

JE01.00 PRE-APPLIED JAMB EXTENSION

TM : THERMAL & MOISTURE PROTECTION

TM02.09 THRU-WALL SILL FLASHING. SEAL TO WALL CONSTRUCTION BELOW UNIT INSTALLATION FIN. PROVIDE WEEPS TO EXTERIOR.

TM03.01 WATER RESISTANT BACKER ROD & SEALANT.

TM04.01 APPLY DOW GREAT STUFF™ PRO WINDOW & DOOR INSULATING FOAM SEALANT FULL DEPTH TO CREATE INTERIOR SEAL.

TM07.01 WEATHER RESISTIVE BARRIER. FOLD IN AT OPENING SILL & SECURE TO WALL CONSTRUCTION.

TM07.05 WEATHER RESISTIVE BARRIER.

REVISIONS		
NO.	DATE	PROJECT NO.
▲		
▲		

AS PER REQUEST OF
THE CITY OF OVERLAND PARK KS

LOCATION: _____
ARCHITECT: _____
DISTRIBUTOR: 215

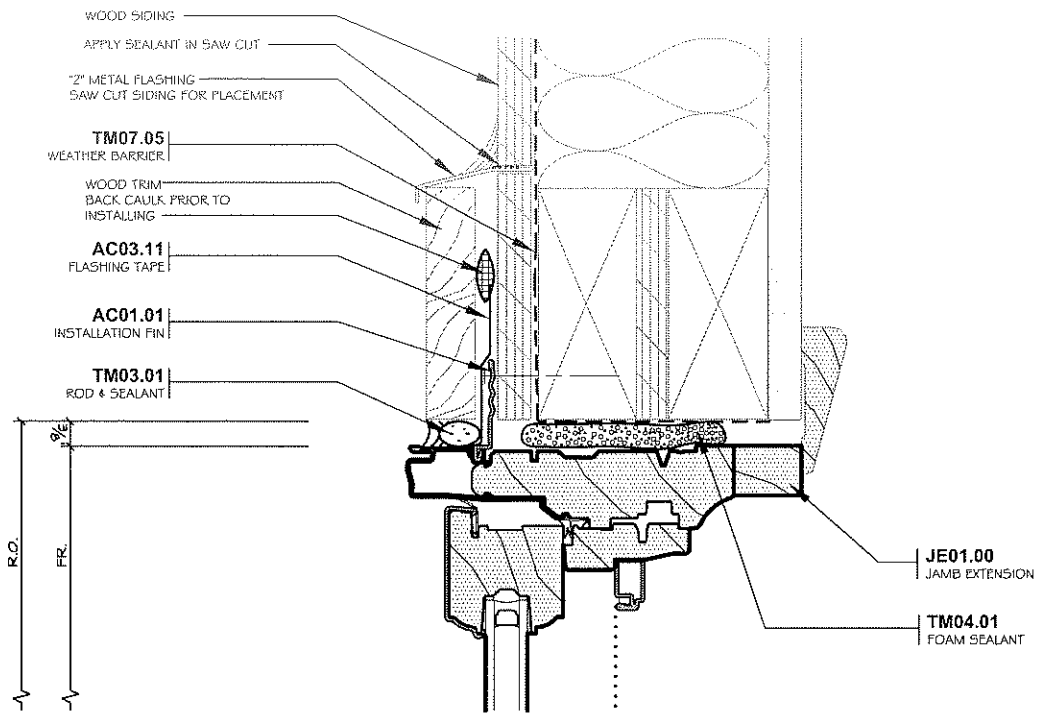


DETAILS KEYNOTES

DRAWN BY: TOM LUSE
CHECKED BY: JG TH
DATE: 4-24-07

SCALE: NO SCALE
PROJECT NO.: 74865
SHEET NO. 2 OF 4

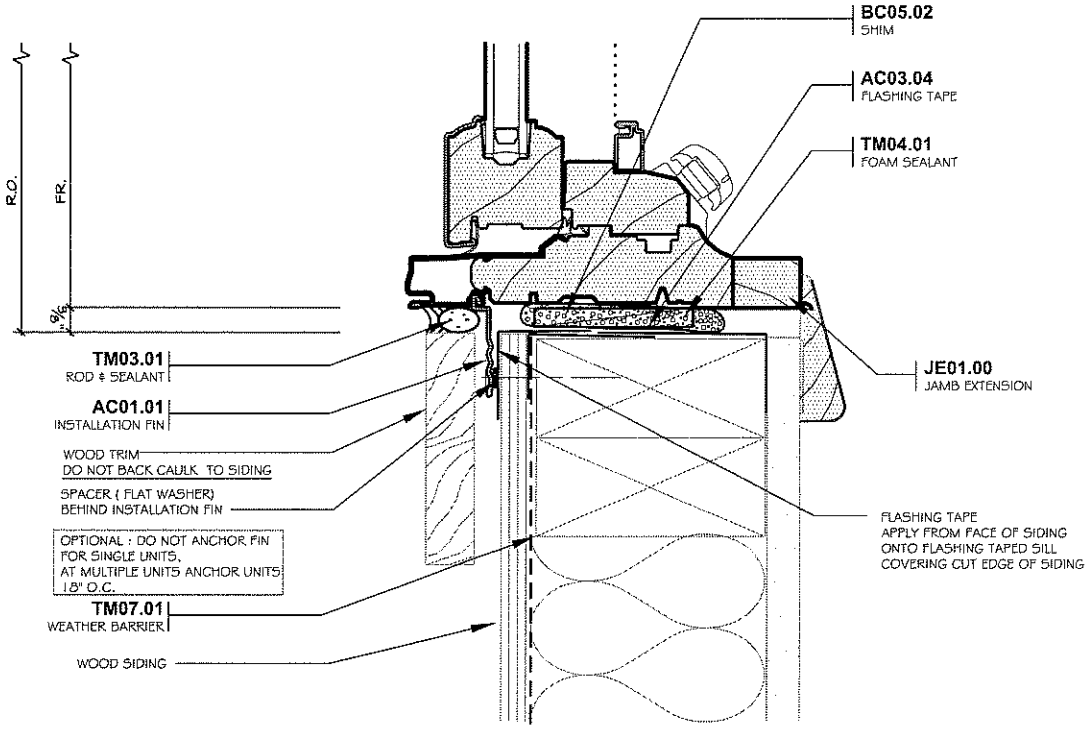
ARCHITECTURAL SUPPORT SERVICES DEPARTMENT Window and Door Installation Solutions



1 HEAD

SCALE: 6" = 1'-0"

NOTES:
REF. ARCH. DWG.:



2 SILL

SCALE: 6" = 1'-0"

NOTES:
REF. ARCH. DWG.:

REVISIONS		
NO.	DATE	PROJECT NO.

AS PER REQUEST OF
THE CITY OF OVERLAND PARK KS

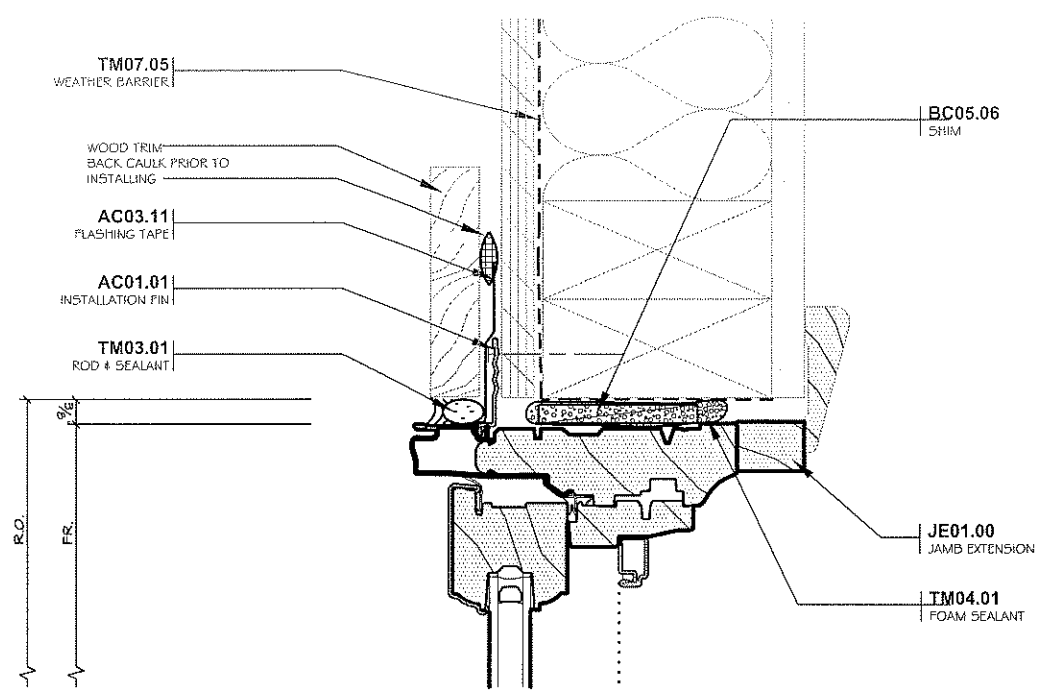
LOCATION:
ARCHITECT:
DISTRIBUTOR: 215



HEAD-SILL DETAILS

DRAWN BY: TOM LUSE
CHECKED BY: J. TH
DATE: 4-24-07
ARCHITECTURAL SUPPORT SERVICES DEPARTMENT

SCALE: 6"=1'-0"
PROJECT NO.: 74865
SHEET NO. 3 OF 4
Window and Door Installation Solutions



3 JAMB
 SCALE: 6" = 1'-0" REF. ARCH. DWG.:

REVISIONS		
NO.	DATE	PROJECT NO.
△		
△		

AS PER REQUEST OF
THE CITY OF OVERLAND PARK KS
 LOCATION:
 ARCHITECT:
 DISTRIBUTOR: 215



JAMB DETAIL
 DRAWN BY: TOM LUSE
 CHECKED BY: JC TH
 DATE: 4-24-07
 ARCHITECTURAL SUPPORT SERVICES DEPARTMENT

SCALE: 6"=1'-0"
 PROJECT NO.: 74865
 SHEET NO. 4 OF 4
 Window and Door Installation Solutions